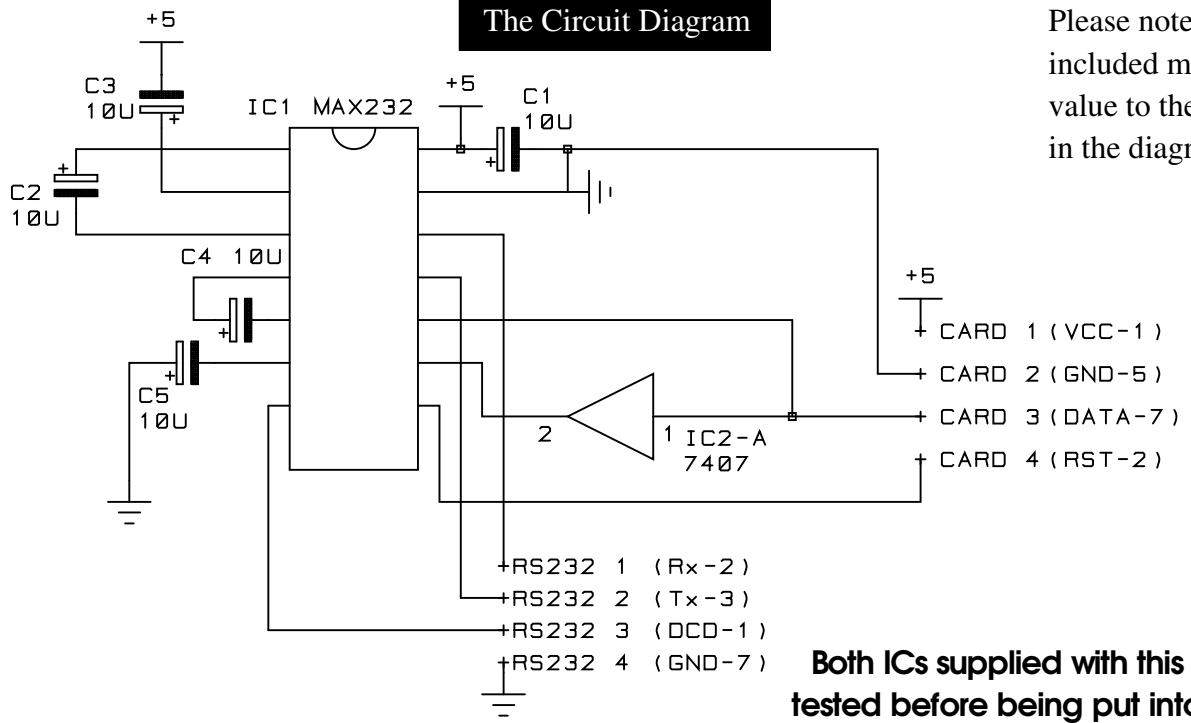


The Circuit Diagram

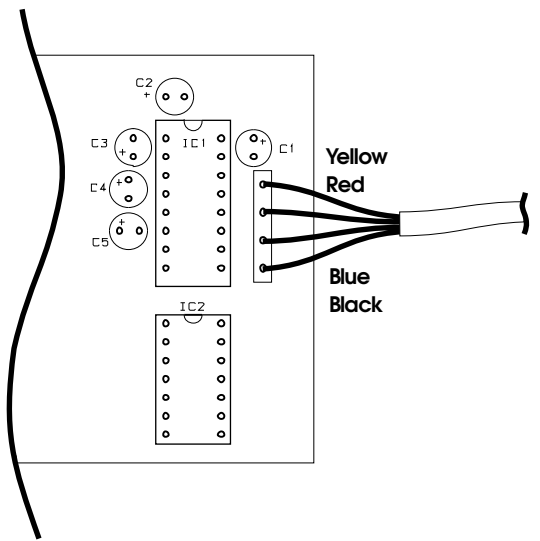


Please note that capacitors included may be a different value to the ones shown in the diagram.

Both ICs supplied with this kit have been tested before being put into the package.

Smart-PC
...the smart card that runs from your PC.

Original by Markus Kuhn, this artwork by mark@joule.pcl.ox.ac.uk, available by anonymous ftp from harley.pcl.ox.ac.uk



Colour	9 Pin	25 Pin
Yellow	2	3
Red	3	2
Blue	1	8
Black	5	7
Link these 3 pins	4	20
	6	6
	8	5